

4.25Gbps 4X/2X/1X Fiber Channel SFP 1310nm 10km Single-mode Optical Transceiver FSFP-4G31-10-xx



Features

- Data-rate up to 4.25Gbps operation
- 10km with 9/125 μ m SMF
- Hot-pluggable SFP footprint duplex LC connector Interface
- Class 1 FDA and IEC60825-1 Laser Safety Compliant
- Digital Diagnostic Monitoring
- Compatible with SFP MSA
- Compatible with SFF-8472
- +3.3V single power supply and TTL Logic Interface
- Operating case temperature
Standard : 0°C to +70°C
Extended: -20°C to +85°C
Industrial: -40°C to +85°C

Applications

- Multi Rate Fiber Channel
- 1000Base-SX Ethernet
- Storage Area Network(SAN)
- Other optical transmission systems
- 1000Base-LX Ethernet

Description

The FiberStore 4G series is small form factor pluggable module for 4x/2x/1x Fiber Channel and 1000BASE-BX Gigabit Ethernet single fiber communications. It is with the SFP 20-pin connector to allow hot plug capability. The transmitter section uses class 1 laser compliant according to International Safety Standard IEC 60825. The receiver section uses an integrated detector preamplifier (IDP) mounted in an optical header

Specifications

Table 1 - Absolute Maximum Ratings

Parameter	Symbol	Min	Max	Unit
Supply Voltage	Vcc	-0.5	4.5	V
Storage Temperature	Ts	-40	+85	°C
Operating Humidity	-		95	%

Table 2 - Recommended Operating Conditions

Parameter	Symbol	Min	Typical	Max	Unit
Operating Case Temperature	Standard	0		+70	°C
	Industrial	-40		+85	°C
Power Supply Voltage	Vcc	3.15	3.3	3.45	V
Power Supply Current	Icc			300	mA
Date Rate			4.25		Gbps

(DFB and PIN, 10km Reach)

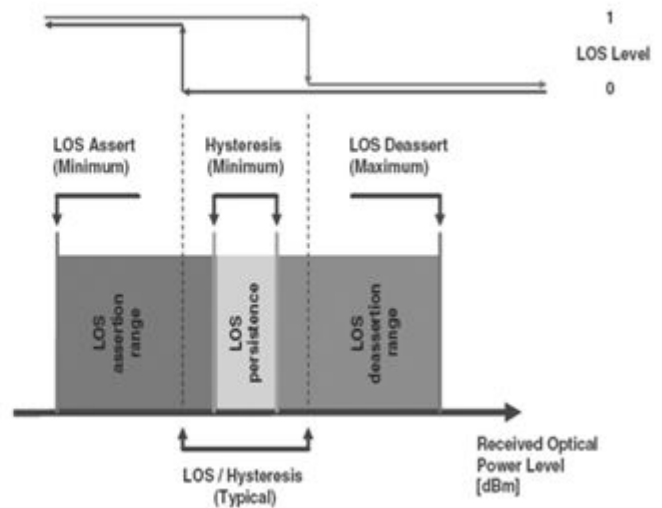
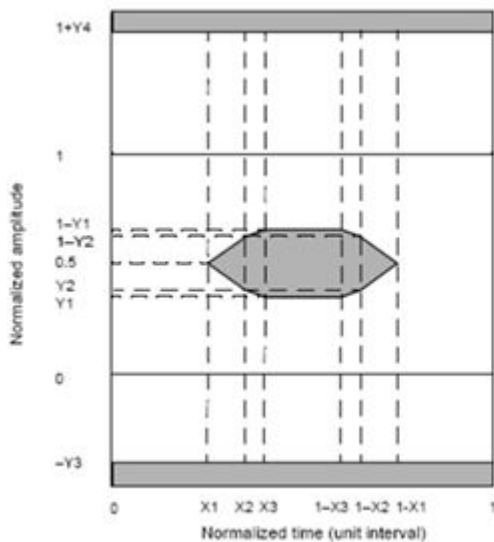
Table 3- Optical and Electrical Characteristics

Parameter	Symbol	Min	Typical	Max	Unit	Notes
9µm Core Diameter SMF	L		10		Km	
Data Rate				4.25	Gbps	
Transmitter						
Centre Wavelength	λ_c	1260	1310	1360	nm	
Spectral Width (RMS)	$\Delta\lambda$			1	nm	
Side Mode Suppression Ratio	SMSR	30			dB	
Average Output Power	Pout	-8		-3	dBm	1
Extinction Ratio	ER	4.5			dB	2
Optical Rise/Fall Time (20%~80%)	tr/tf			90	ps	
Output Optical Eye	Compliant with ANSI FC-PI specification					2,5
TX Disable Assert Time	t_off			10	us	
Pout@TX Disable Asserted	Pout			-45	dBm	
Receiver						
Centre Wavelength	λ_c	1260		1600	nm	4
Receiver Sensitivity	4FC	Pmin		-18	dBm	
	2FC			-21		

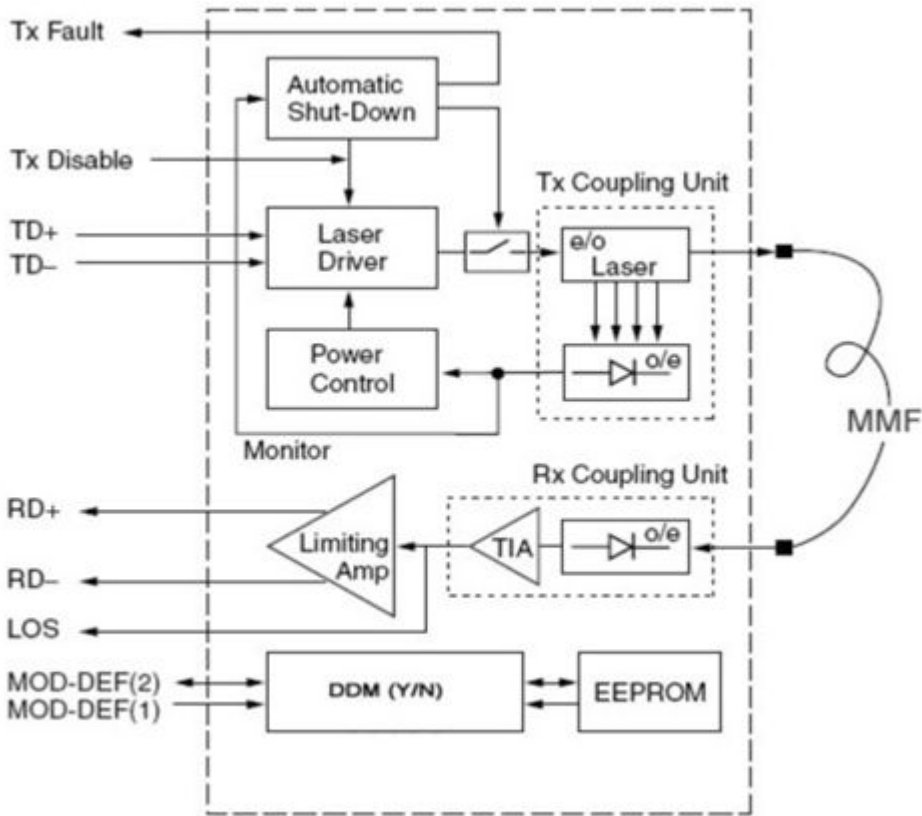
	FC				-22		
Receiver Overload	Pmax	-3				dBm	
LOS De-Assert	LOS _D				-19	dBm	
LOS Assert	LOS _A	-35				dBm	
LOS Hysteresis		0.5				dB	5
Reflection					-27	dB	

Notes:

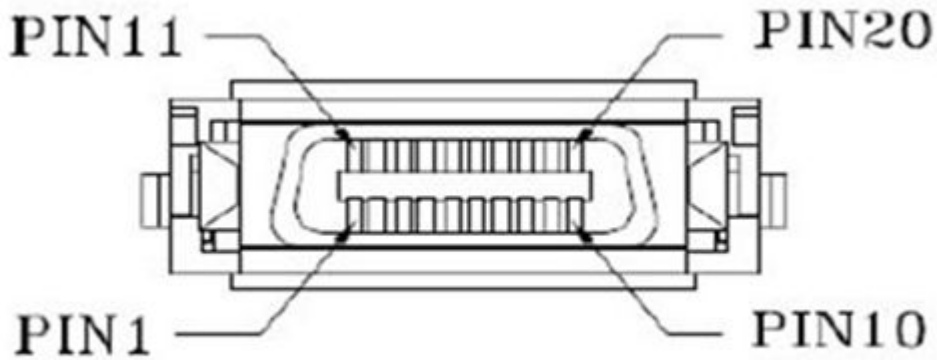
- 1: Output is coupled into a 9/125μm single-mode fiber.
- 2: Filtered, measured with a PRBS 2⁷-1 test pattern @1.25Gbps
- 3: LVPECL logic, internally AC coupled. LVPECL logic, internally AC coupled.
- 4: Minimum average optical power measured at BER less than 1E-12, with a 2⁷-1 NRZ PRBS and ER=9dB.
- 5: Eye Pattern Mask
- 6: LOS Hysteresis

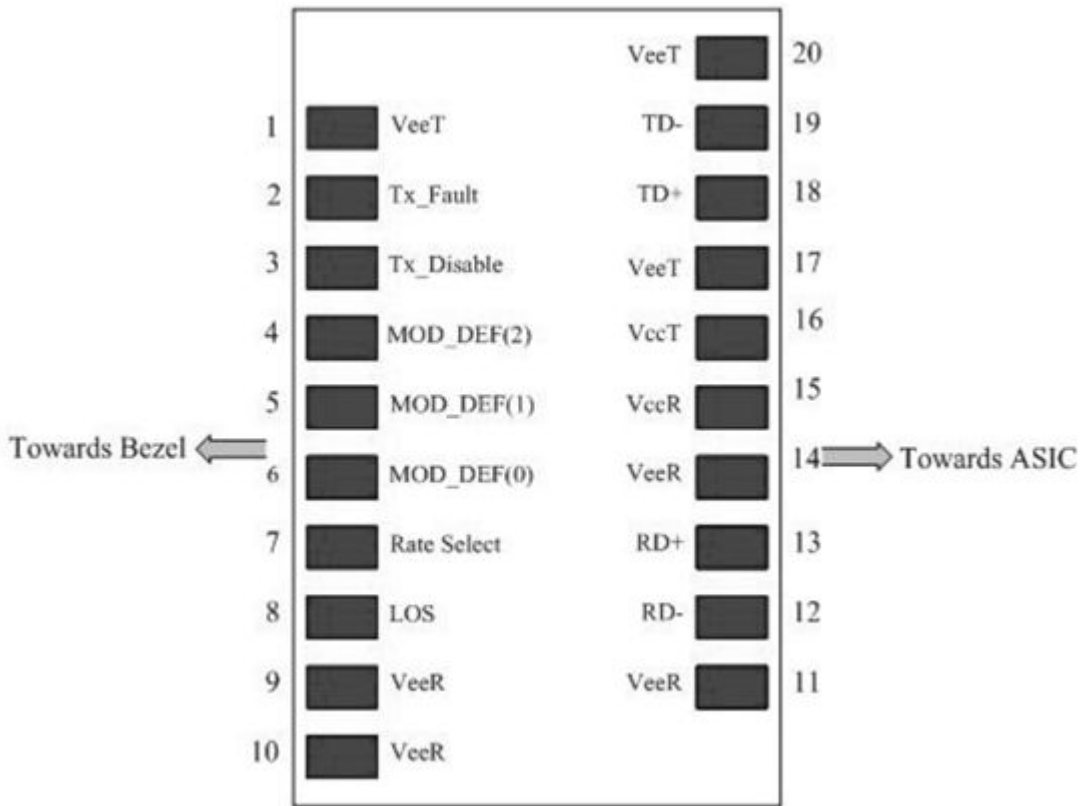


Functional Description of Transceiver



SFP Transceiver Electrical Pad Layout





Pin Descriptions

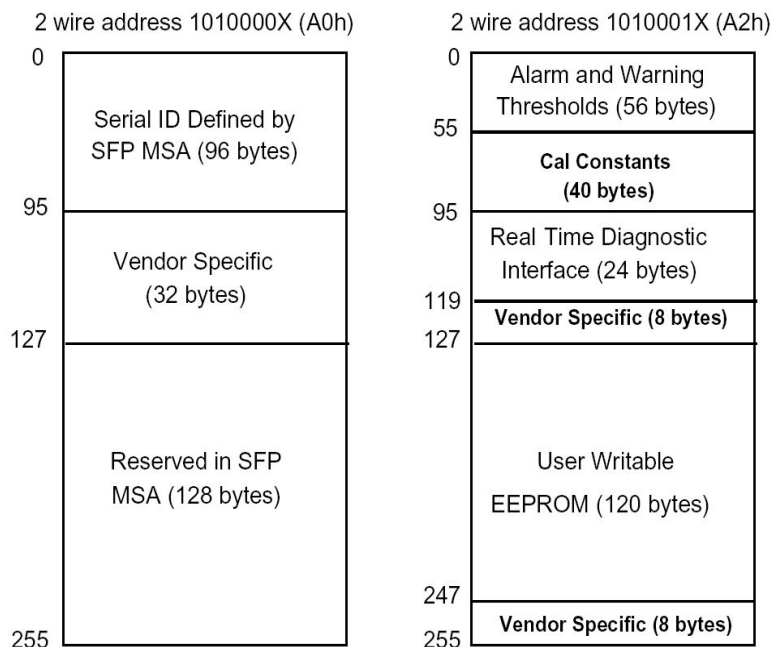
Pin	Signal Name	Description	Plug Seq.	Notes
1	V _{EET}	Transmitter Ground	1	
2	TX FAULT	Transmitter Fault Indication	3	Note 1
3	TX DISABLE	Transmitter Disable	3	Note 2
4	MOD_DEF(2)	SDA Serial Data Signal	3	Note 3
5	MOD_DEF(1)	SCL Serial Clock Signal	3	Note 3
6	MOD_DEF(0)	TTL Low	3	Note 3
7	Rate Select	Not Connected	3	
8	LOS	Loss of Signal	3	Note 4
9	V _{EER}	Receiver ground	1	
10	V _{EER}	Receiver ground	1	
11	V _{EER}	Receiver ground	1	
12	RD-	Inv. Received Data Out	3	Note 5
13	RD+	Received Data Out	3	Note 5
14	V _{EER}	Receiver ground	1	

15	V _{CCR}	Receiver Power Supply	2	
16	V _{CCT}	Transmitter Power Supply	2	
17	V _{EET}	Transmitter Ground	1	
18	TD+	Transmit Data In	3	Note 6
19	TD-	Inv. Transmit Data In	3	Note 6
20	V _{EET}	Transmitter Ground	1	

Notes:

Plug Seq.: Pin engagement sequence during hot plugging.

- TX Fault is an open collector output, which should be pulled up with a 4.7k~10kΩ resistor on the host board to a voltage between 2.0V and Vcc+0.3V. Logic 0 indicates normal operation; Logic 1 indicates a laser fault of some kind. In the low state, the output will be pulled to less than 0.8V.
- TX Disable is an input that is used to shut down the transmitter optical output. It is pulled up within the module with a 4.7k~10kΩ resistor. Its states are:
 - Low (0 to 0.8V): Transmitter on
 - (>0.8V, < 2.0V): Undefined
 - High (2.0 to 3.465V): Transmitter Disabled
 - Open: Transmitter Disabled
- Mod-Def 0, 1, 2. These are the module definition pins. They should be pulled up with a 4.7k~10kΩ resistor on the host board. The pull-up voltage shall be VccT or VccR.
 - Mod-Def 0 is grounded by the module to indicate that the module is present
 - Mod-Def 1 is the clock line of two wire serial interface for serial ID
 - Mod-Def 2 is the data line of two wire serial interface for serial ID
- LOS is an open collector output, which should be pulled up with a 4.7k~10kΩ resistor. Pull up voltage between 2.0V and Vcc+0.3V. Logic 1 indicates loss of signal; Logic 0 indicates normal operation. In the low state, the output will be pulled to less than 0.8V.
- RD-/+ : These are the differential receiver outputs. They are internally AC-coupled 100 differential lines which should be terminated with 100Ω (differential) at the user SERDES.
- TD-/+ : These are the differential transmitter inputs. They are internally AC-coupled, differential lines with 100Ω differential termination inside the module.



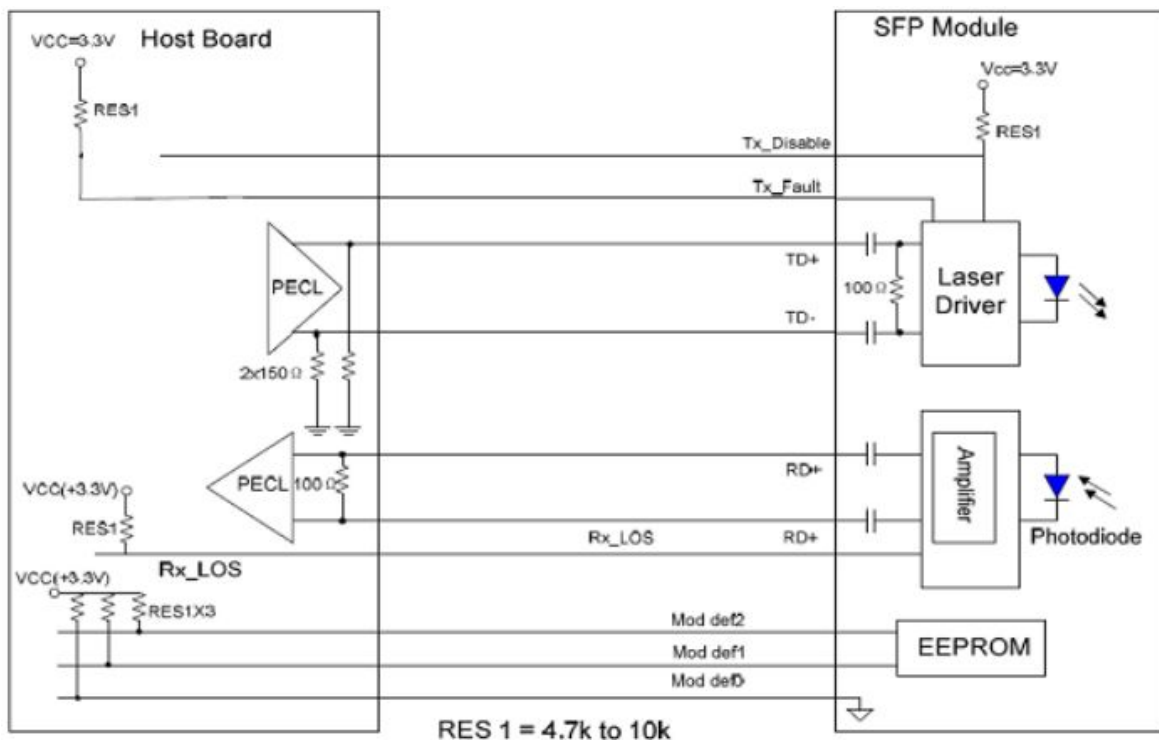
EEPROM Serial ID Memory Contents

Add.	Size (Bytes)	Name of Field	Hex	Description
BASE ID FIELDS				
0	1	Identifier	03	SFP
1	1	Ext. Identifier	04	SFP function is defined by serial ID only
2	1	Connector	07	LC Connector
3-10	8	Transceiver	XX ^(note)	Transmitter Code
11	1	Encoding	03	NRZ
12	1	BR, Nominal	XX XX XX XX XX XX XX XX ^(note)	
13	1	Reserved	XX	Transceiver Transmit Distance
14	1	Length (9μm) km	XX	
15	1	Length(9μm) 100m	XX	
16	1	Length (50μm) 10m	XX	
17	1	Length(62.5μm)10m	00	
18	1	Length (Copper)	00	Not Compliant
19	1	Reserved	00	
20-35	16	Vendor name	XX XX XX XX XX XX XX XX XX XX XX XX XX XX XX XX ^(note)	Vendor name (ASCII)
36	1	Reserved	00	
37-39	3	Vendor OUI	XX XX XX ^(note)	
40-35	16	Vendor PN	XX XX XX XX XX XX XX XX XX XX XX XX XX XX XX XX ^(note)	Transceiver part number
56-59	4	Vendor rev	XX XX XX XX ^(note)	
60-61	2	Wavelength	05 1E	1310nm
62	1	Reserved	00	
63	1	CC_BASE	Check Sum (Variable)	Check Code for Base ID Fields
EXTENDED ID FIELDS				
64-65	2	Options	00 1A	TX_DISABLE, TX_FAULT and Loss of Signal implemented.
66	1	BR, max	00	
67	1	BR, min	00	

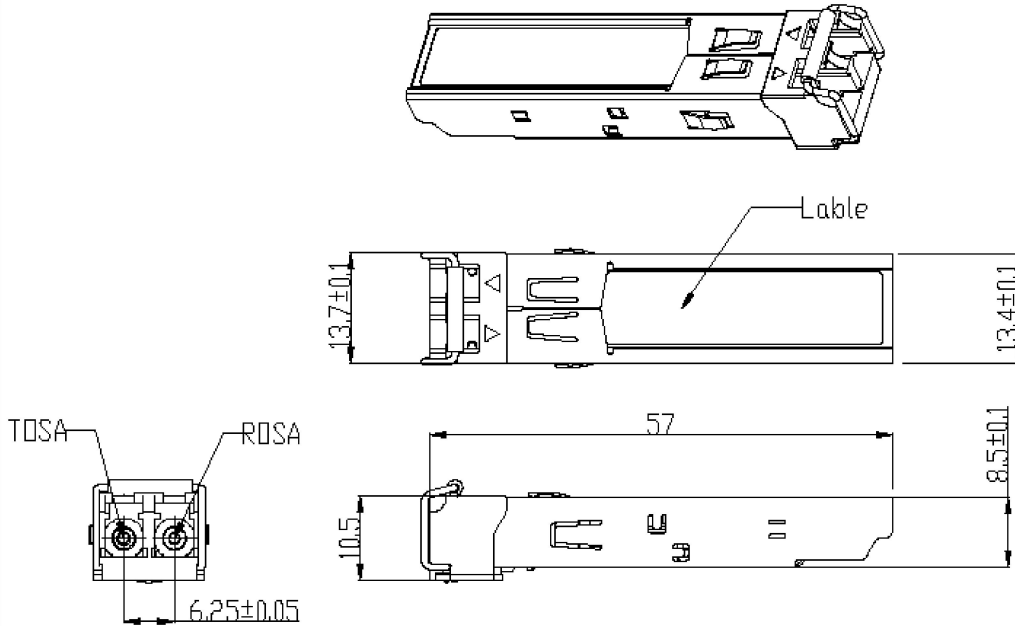
68-83	16	Vendor SN	XX XX XX XX XX XX XX XX ^(note) 20 20 20 20 20 20 20 20	Serial Number of transceiver (ASCII). For example "B000822".
84-91	8	Date Code	XX XX XX XX XX XX XX XX ^(note9)	Manufactory Date Code. For example "080405"
92	1	Diagnostic Monitoring Type	XX ^(note9)	Digital Diagnostic Monitoring Implemented
93	1	Enhanced Options	XX ^(note)	Optional Flags
94	1	SFF_8472 Compliance	XX ^(note)	01 for Rev9.3 SFF-8472
95	1	CC_EXT	Check Sum (Variable)	Check Sum for Extended ID Field
VENDOR SPECIFIC ID FIELDS				
96-127	32	Vendor Specific	Read Only	Depends on Customer Information
128-255	128	Reserved	Read Only	

Note: The "XX" byte should be filled in according to practical case. For more information, please refer to the related document of SFP Multi-Source Agreement (MSA).

Recommended Interface Circuit



Mechanical Dimensions



Ordering Information

Part No.	Data Rate (Gbps)	Wavelength (nm)	Connector Type	Transmission Distance (km)	Operating case temperature (°C)	Digital Diagnostics
FSFP-4G31-10-xx	4.25	1310	LC	10	0 to +70	Yes
FSFP-4G31-10E-xx	4.25	1310	LC	10	-20 to +85	Yes
FSFP-4G31-10I-xx	4.25	1310	LC	10	-40 to +85	Yes

Notes:

xx means compatible brand. (For example: CO=Cisco, JU=Juniper, FD=Foundry, EX=Extreme, NE=Netgear, etc.)

FiberStore U.S.

X205 4181 129th Place SE, Bellevue
98006, WA,
United States
Tel: +1 (206) 453 0158
Fax: +1 (425) 505 2761

FiberStore Hong Kong

1220 Tung Chun Commercial Centre,
438-444 Shanghai Street, Kowloon,
HongKong
Tel: (852) 8120 3582
Fax: (852) 8120 3582

FiberStore China

5D Intelligent Tower,
Fumin Road Futian,
Shenzhen 518045, GuangDong,
China
Tel: +86 (755) 8300 3611
Fax: +86 (755) 8326 9395

Addresses, phone number and fax number also have been listed at www.fiberstore.com. Please e-mail us at sales@fiberstore.com or call us for assistance.

All statements, technical information, and recommendations related to the products herein are based upon information believed to be reliable or accurate. However, the accuracy or completeness thereof is not guaranteed, and no responsibility is assumed for any inaccuracies. Please contact FiberStore for more information.